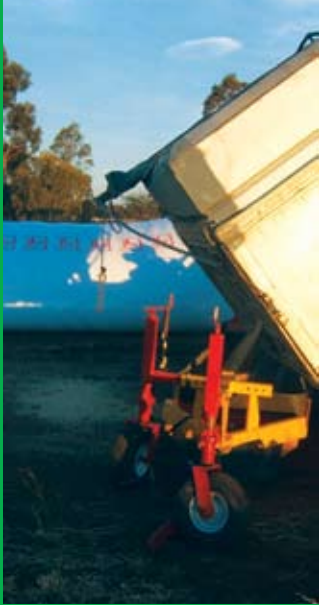


BUNKER BAGS
TRUCK SIDELOADERS

A Bunker Bags Truck Sideloader can unload approximately 27t of wheat while your truck remains stationary. This is achieved by the swinging action of the sideloader as it pivots on the connecting box supplied with truck sideloader (for further details see reverse page)

So now you can build your bags where you want them, eg. A well drained area with all weather roads and good fencing to help keep out stock and vermin as well protecting the bags from fire with fire breaks. This machine is the missing link in the grain bagging system.



Bunker Bags can supply two models:

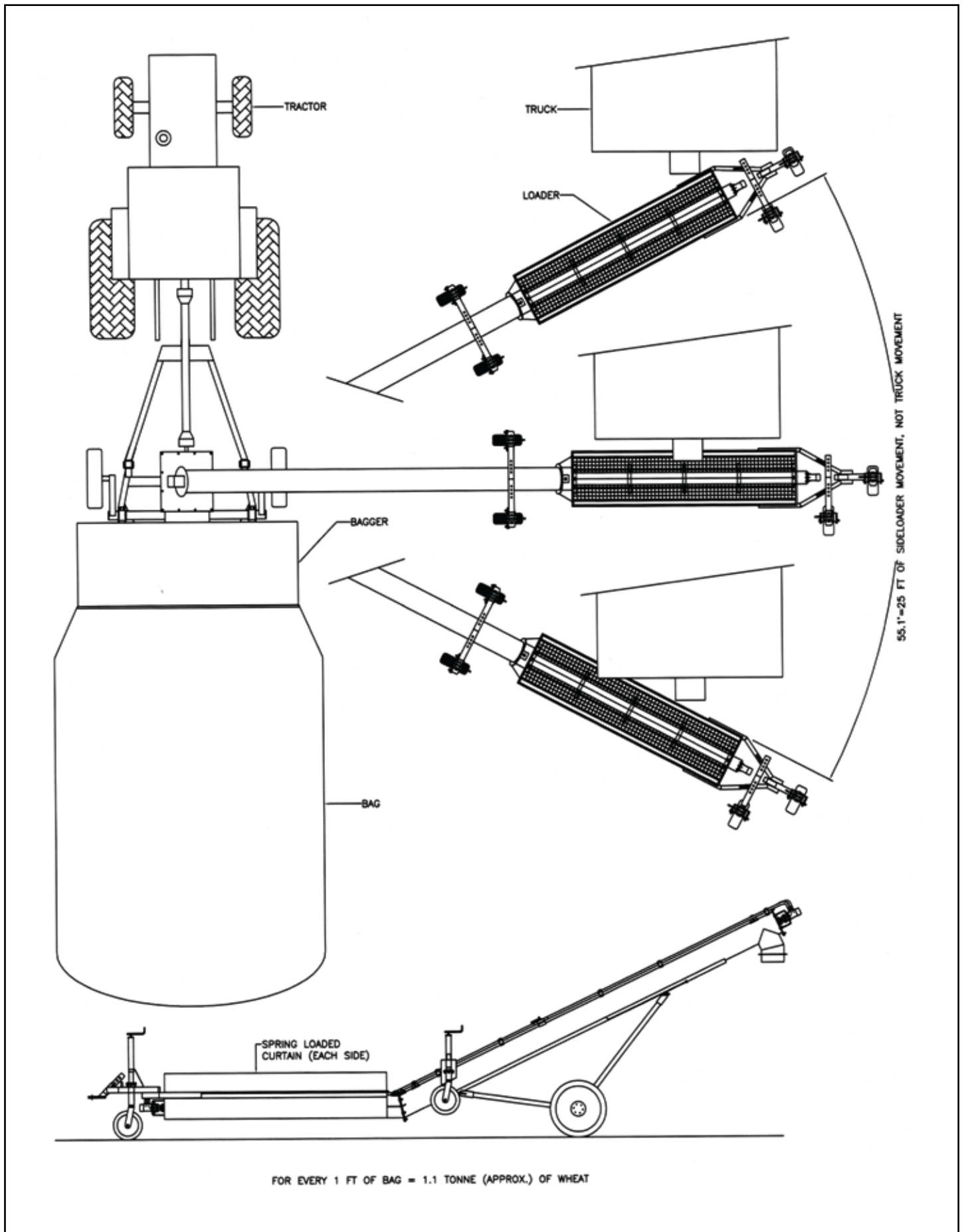
- A 14" barrel, with 3 x 8" trough augers, driven by a 35hp motor which has the capacity of 4.5tpm of wheat. (above)
- A 12" barrel x 12" trough, driven by hydraulics from your tractor. It requires 2500psi and 90lpm of oil to achieve a capacity of 3tpm (below)



YOUR LOCAL DEALER IS:



www.bunkerbags.com.au



To achieve this swivling action (as shown above), the hopper of the bagger is removed and replaced with the connecting box. This box has a hole in the top to match the size of the sideloader. The end of the auger fits inside the hole and is lowered down to sit on the flange, which takes the weight and acts as a pivot point for the sideloader to rotate. Four floatation jockey wheels, on screw jacks, support the trough end of the sideloader as it pivots on the connecting box while the grain from the truck is being augered into the bagging machine, pushing the tractor and bagging machine forward.

The only modification to your truck may be to extend the grain shoot on the tail gate bagging door to drop the grain as far as practical away from the truck.

The truck sideloader is easily transportable with its removable transport wheels in place, at close to maximum road speeds.

It is able to be fully cleaned out with three underside removable doors and can be weather proofed by the closing over of the spring loaded curtains.